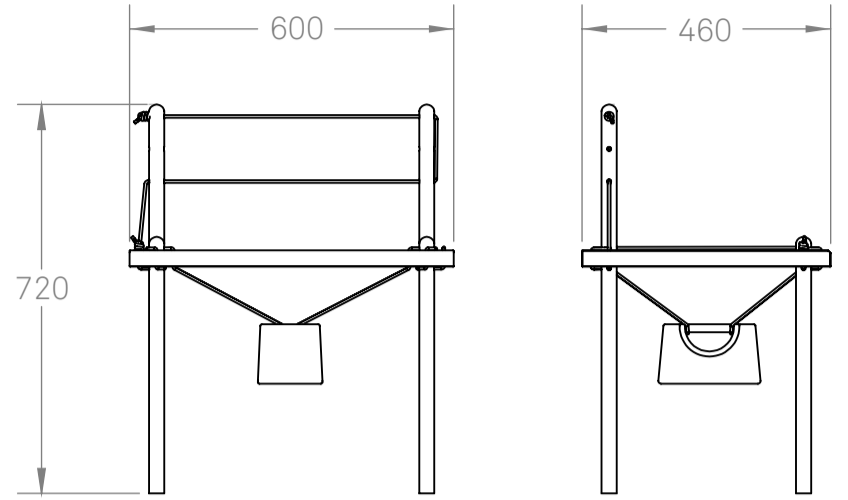
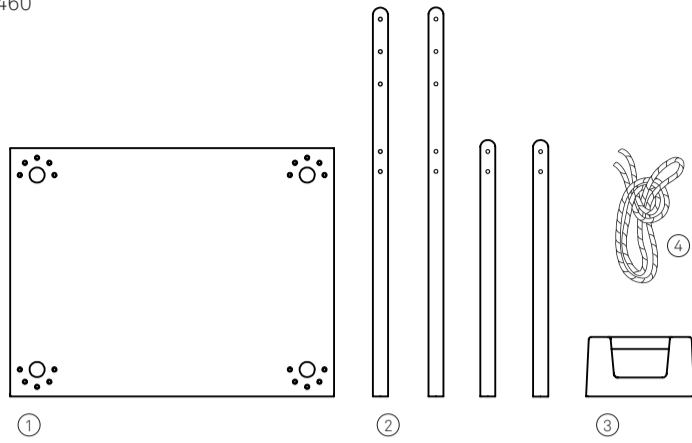


SPECIFICATION

Seat, Legs, Weight, Rope

Pine, Beech, Cast Iron, Dyneema Rope

720 x 600 x 460



Scale 1 : 14

MATERIAL

PINE ①

friendly, natural, honest, unsophisticated, utility

Pine, spruce and larch are known under the collective name of 'deal', a term used since the 14th century to describe coniferous softwoods. Pine is one of the most valuable softwoods in North America and its by-products, resin, tar and turpentine, have a large number of applications.

Scandinavian Pine has been used for the seat of the KNOT chair because it offers excellent self-support, low shrinkage and is not prone to sagging. It is a readily available and affordable wood which can be worked with easily using a selection of basic tools.

BEECH ②

rural, natural, honest

The legs of the KNOT chair are made from 28mm (1 1/8 inch) diameter Beech, commonly used for broom handles. Beech has been used on all KNOT furniture because it is an affordable and readily available in most DIY stores. Beech can be easily worked and is strong, elastic and finishes well.

FINISHING

The wood used has not been treated with any wax, oil or varnish which gives you the ability to select the most appropriate finish for your needs. Listed below are two possible types of finish.

Tung, Linseed Oil (In-Wood Finish)

- Easily Repaired
- Darkens wood
- Adds a dull sheen

Wax, Shellac (On-Wood Finish)

- Does not penetrate wood
- Easily repaired
- Does little to enhance grain or colour of wood

Applying a finish to the wood will preserve and protect the wood from day to day wear and tear.

More Information

- http://www.joinersregister.com/Caring_for_Wood.php
- <http://w/wiki/Pine>
- <http://www.mtrl.com/portal/site/mtrl/>
- http://en.wikipedia.org/wiki/Wood_finishing

CAST IRON ③

heritage, reassuring, responsible, utility, trusted, unsophisticated

The term cast iron is a generic name given to a group of materials formed from carbon, silicon and iron. The graphite in cast iron provides excellent resistance to wear, for this reason it is used for man hole covers. The M1 10kg cast iron weight provided requires no maintenance. **IMPORTANT:** When assembling your KNOT furniture make sure the weight is properly supported above ground level.

DYNEEMA ROPE ④

technical, advanced, utility, trusted

The rope provided is made from Dyneema. Dyneema is extremely low-stretch, lightweight and strong, for these reasons it has been used in all KNOT furniture which requires a consistently tight and strong rope to provide it with stability. Dyneema is an ultra strong polyethylene fiber that offers maximum strength combined with minimum weight. It is up to 15 times stronger than quality steel.

The rope provided is 5mm Excel Racing Dyneema with a 16 plait polyester cover made by Marlow Ropes.

Marlow Excel Racing Rope



Diameter	1.5mm	2mm	3mm	4mm	5mm	6mm
Average Break load (kg)	172	211	463	1152	1410	2025

SOURCES / LONDON

All materials used in the KNOT furniture series can be found in most stores both on the high street and online. If a piece breaks, a replacement is not too far away.

Pine & Beech

P.O. Joyce Ltd.
Church Lane
East Finchley
London
N2 8DZ

Whitten Timber
Peckham Hill street
Peckham
London
SE15 5JT

Cast Iron Weights

<http://www.scalesandbalances.co.uk/>

<http://www.precisionbalance.co.uk/>

Rope

Arthur Beale
194 Shaftesbury Avenue,
Covent Garden
London,
WC2H 8JP

<http://www.sailboats.co.uk/>

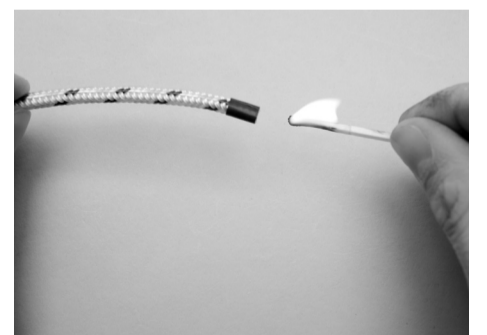
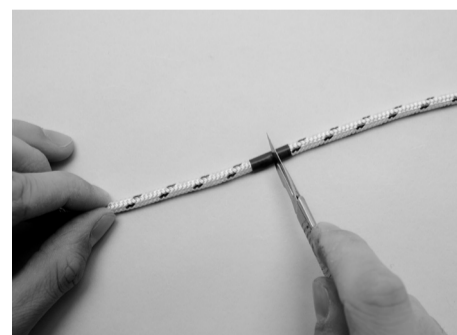
<http://www.mailspeedmarine.com/>

<http://www.ropeloft.co.uk/>

ROPE



1. TOOLS
2. TAPE ROPE



3. CUT ROPE
4. MELT WITH FLAME

CUTTING & SEALING

Tools : sharp knife, PVC tape, matches or lighter

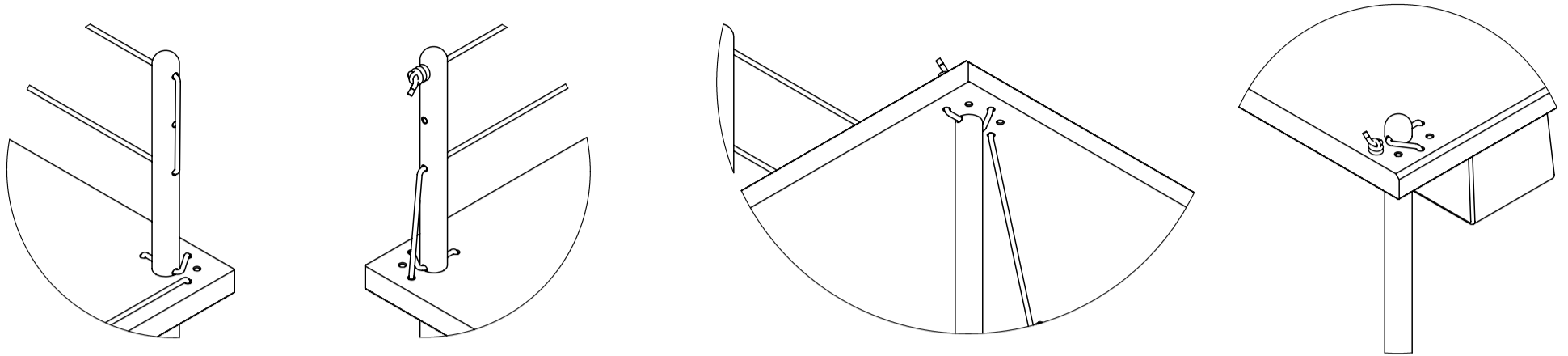
1. Wrap the area you would like to cut with PVC tape.
2. Cut through the rope at the taped section with a sharp knife.
3. To prevent the rope from fraying, gently heat the end until the tape begins to shrink and the rope melts.

MORE

- A knot uniting two ropes reduces the strength of the unit to about half that of the weaker rope.
- A rope that is twice the diameter of another has four times its strength.
- Never use two ropes of different materials together, only the more rigid rope will work under the strain.
- The use of ropes for hunting, pulling, fastening, attaching, carrying, lifting, and climbing dates back to prehistoric times and has always been essential to mankind's technological progress.

THREADING

Four threading suggestions to get you started.



KNOT & HITCH

The Figure-Eight Knot and Heaving Line Knot are both classified as stopper knots. Stopper knots are made in the end of a rope to prevent it slipping through an eye or other aperture when the rope is being used. These two knots can be used when assembling the KNOT chair to prevent the rope slipping through the holes in both the legs and the seat.

Hitches are used for tying a rope to another object. The Cow Hitch can be used when assembly the KNOT chair to secure a length of rope to a chair leg while threading the rest of the chair.

MORE

There are over 1000 other knots that can be used to assemble both the chair and table. Listed below are some great places to increase your knot IQ.

BOOKS

- *The Complete Guide To Knots* by Bigon, M
- *Ashley Book of Knots* by Ashley, C.
- *Handbook of Knots* by Pawson, D.

WEBSITES

- http://en.wikipedia.org/wiki/List_of_knots
- <http://www.dmoz.org/Reference/Knots/>
- <http://www.scoutingresources.org.uk/>

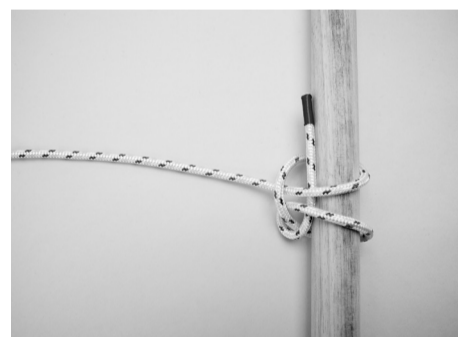
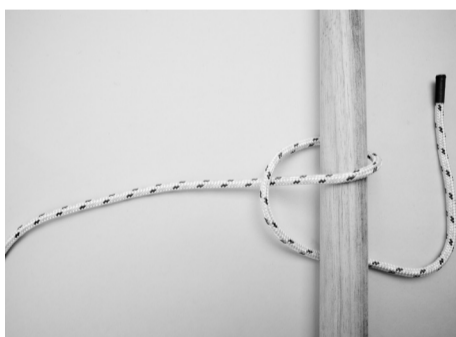
FIGURE-EIGHT KNOT



HEAVING LINE KNOT



COW HITCH



TECHNICAL

All measurements in millimeters.

